

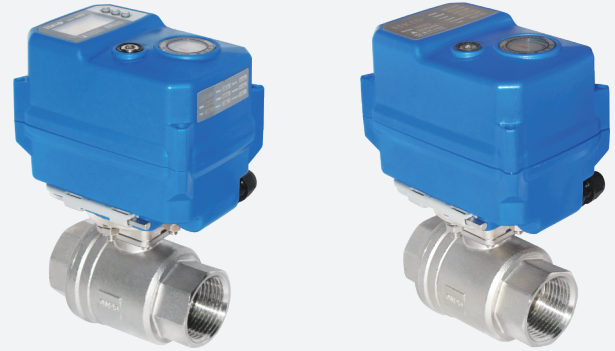
Full Port Ball Valve Features

- GB and NPT is optional
- Adopting circular arrow mark, the pointer can indicate valve position accurately
- Valve ball aperture ensure maximum flow capacity
- Compact size suits for small equipment

Applications

- Environmental protection, low emissions, water supply and drainage, water treatment engineering
- HVAC
- Intelligent water control equipment, water-saving system terminals

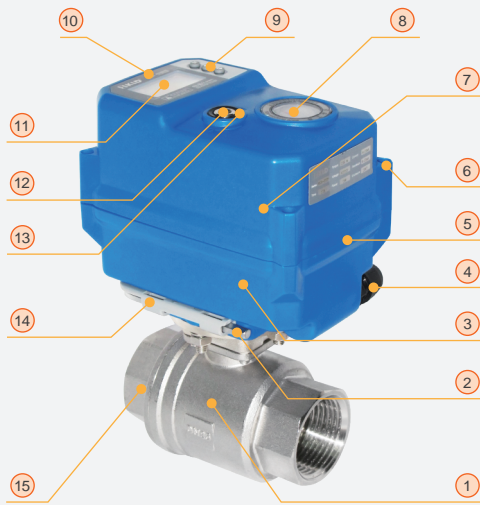
Certification: CE, ISO9001, MA, AL



200C smart on/off model

200N normal on/off model

200C Smart Full port Valve Main Components Diagram

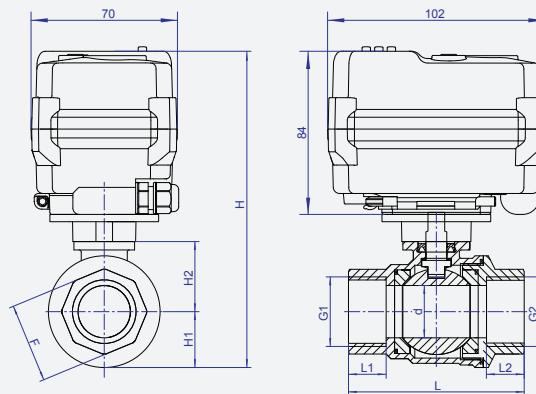


Main Components

NO.	Parts	Material	Qty
1	Valve body	Nickel - plated brass / 304 / 316	1
2	Hexagon wrench	Tool steel	1
3	Bottom cover	Heatproof ABS/Casting aluminum	1
4	Cable connector	Nylon/Nickel - plated brass	1
5	Lid seal	SI	1
6	Screws	304	4
7	Top cover	Heatproof ABS/Casting aluminum	1
8	Indicator	Transparent AS	1
9	Key	Rubber	3
10	Label	PVC	1
11	Screen	OLED	1
12	Manual shaft	304	1
13	Oil seal	NBR	1
14	Wrench fixed	Heatproof ABS	1
15	Valve bonnet	Nickel - plated brass / 304 / 316	1

Normal on/off model no key and 1.3-inch OLED screen.

Dimension [200C, DN15-DN50]



Connection Size (unit: mm)

DN	d	L1=L2	L	G1=G2	H1	H2	H	F	W(Kg)
15	15	13.0	57	G1/2"	16.50	21.25	134.75	27	
20	20	16.0	70	G3/4"	21.50	25.8	144.30	32	
25	25	18.0	84	G1"	26.70	33.5	157.20	38	
32	32	20.0	97	G1-1/4"	31.50	37.5	166.00	48	
40	38	20.0	102	G1-1/2"	37.25	60.0	181.25	56	
50	50	29.0	136	G2"	46.50	69.5	200.00	70	


BSPT, NPT and RC, etc is optional. Please specify in orders.

Electrical Parameters

Series type	Rated torque @rated voltage	Rated voltage	Available voltage range	Run/static power consumption @rated voltage	Peak crurent @rated volatage @5ms	External fuse specification	Running time (Per 90°) ※	Optional control mode
KLD-200N	15N.m	DC24V	DC22V-28V	36W/0.25W	1.5A	3A	10S@Power up 15S@Power down	KT32 or KT32S
		AC110V	AC90V-130V	40W/1.6W	90mA	1A		
		AC230V	AC190-250V	40W/1.6W	90mA	1A		
	20N.m	DC12V	DC10-14V	3.5W/0.3W	1A	2A	10S	B3 BD3 B3S BD3S
		DC24V	DC22V-28V	15W/0.1W	1.2A	2A	15S	
		AC24V	AC18V-26V		0.5A	2A		
AC110V	AC90V-130V	135mA	1A					
KLD-500N	50N.m	DC24V	DC22V-28V	60W/1.5W	2.5A	5A	10S	B3S BD3S
		AC24V	AC22V-28V	50W/1W	3A	5A	20S	
		AC110V	AC90V-130V		1A	2A		
		AC230V	AC190-250V		0.5A	2A		
KLD-1000N	100N.m	DC24V	DC22V-28V	60W/1W	3.5A	5A	10S	B3S BD3S
		AC24V	AC22V-28V	80W/1W	3.5A	5A	30S	
		AC110V	AC90V-130V		1.5A	3A		
		AC230V	AC190-250V		0.6A	2A		
KLD-2000N	200N.m	DC24V	DC22V-28V	180W/1W	4A	10A	10S	B3S BD3S
		AC110V	AC90V-130V	150W/1W	2A	5A	30S	
		AC230V	AC190-250V		1A	5A		
KLD-4000N	400N.m	DC24V	DC22V-28V	240W/1W	5A	10A	10S	B3S BD3S
		AC110V	AC90V-130V	200W/1W	2.5A	5A	30S	
		AC230V	AC190-250V		2A	5A		

※ Since the running time is affected by the valve body , it is considered to be qualified within ± 3s.

Function Parameters

The valve ball rotation Angle	90°
Protection grade	IP67 or F Type
Manual function	Standard (Manual override is only permitted to be used when power is cut)
Indicator	

Working Conditions

Ambient temperature	-20 ——60
Ambient humidity	Relative humidity ≤85% ----Suitable for IP67
	Relative humidity > 85% ----Suitable for IP67
Medium temperature	0-100
Medium pressure	≤1.0MPa

It needs to use high-temperature bracket if working medium temperature is over 100 .